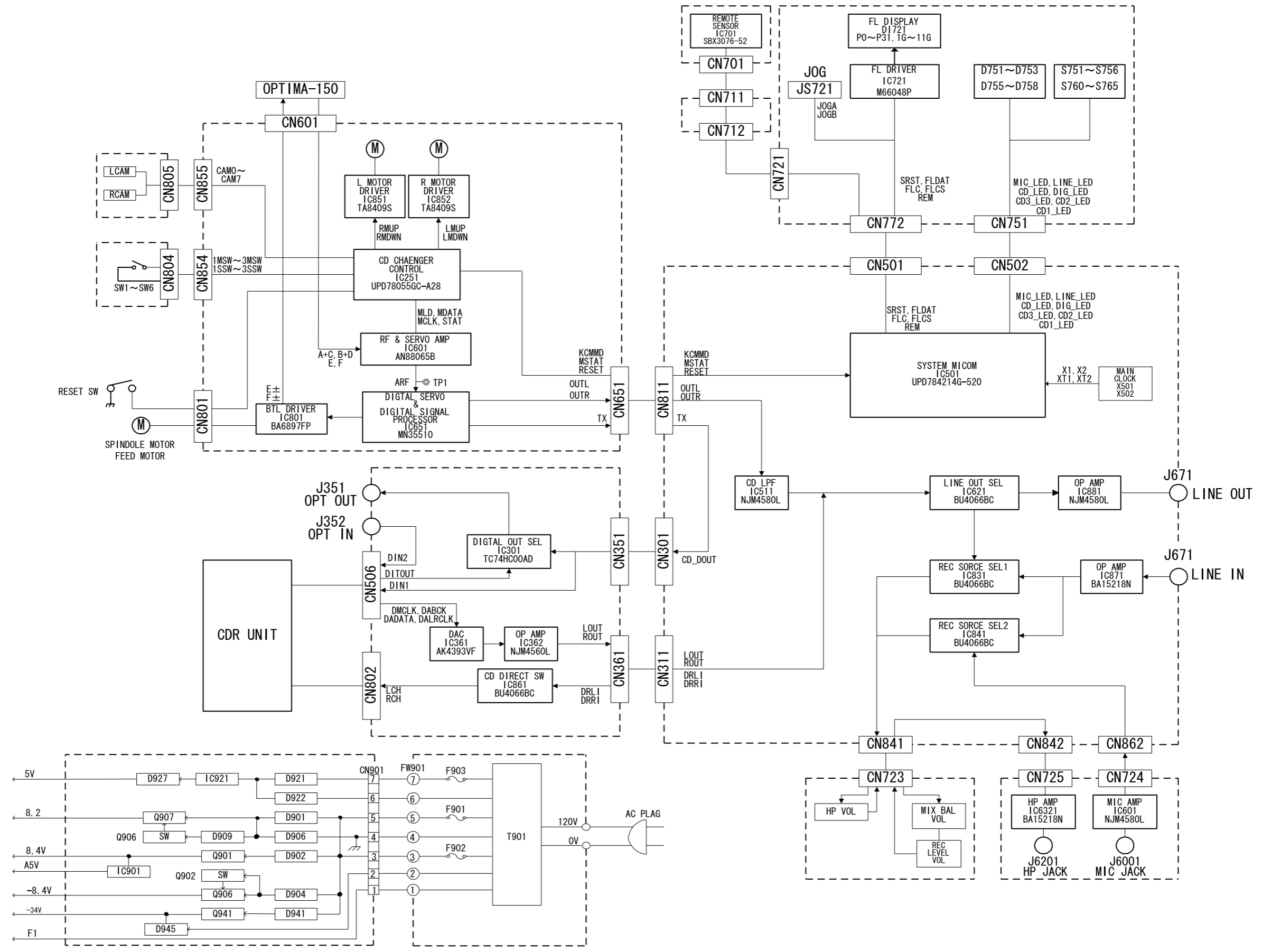
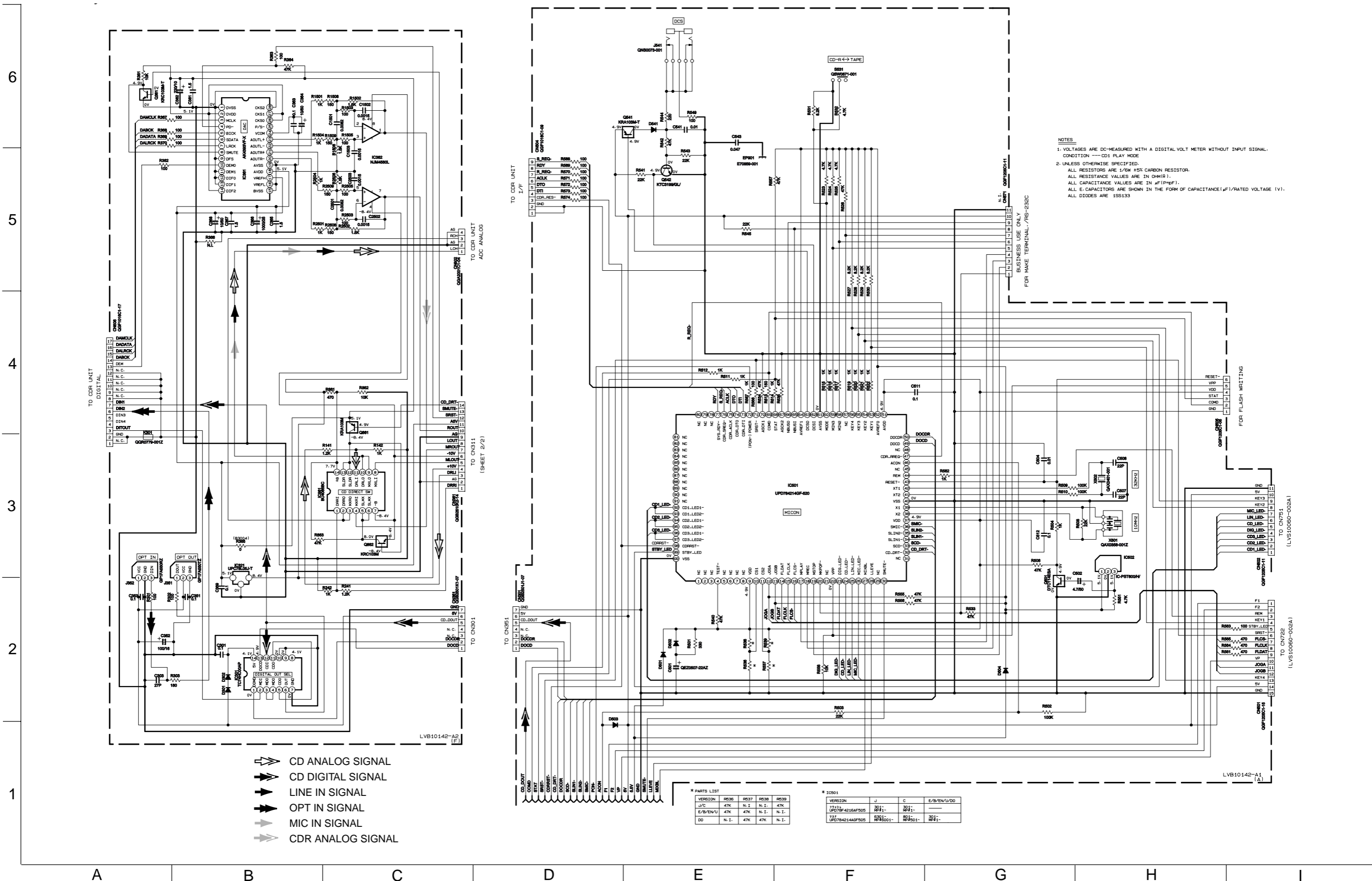


Block diagram



Standard schematic diagrams

System control circuit



- ⇨ CD ANALOG SIGNAL
- ⇨ CD DIGITAL SIGNAL
- ⇨ LINE IN SIGNAL
- ⇨ OPT IN SIGNAL
- ⇨ MIC IN SIGNAL
- ⇨ CDR ANALOG SIGNAL

NOTES

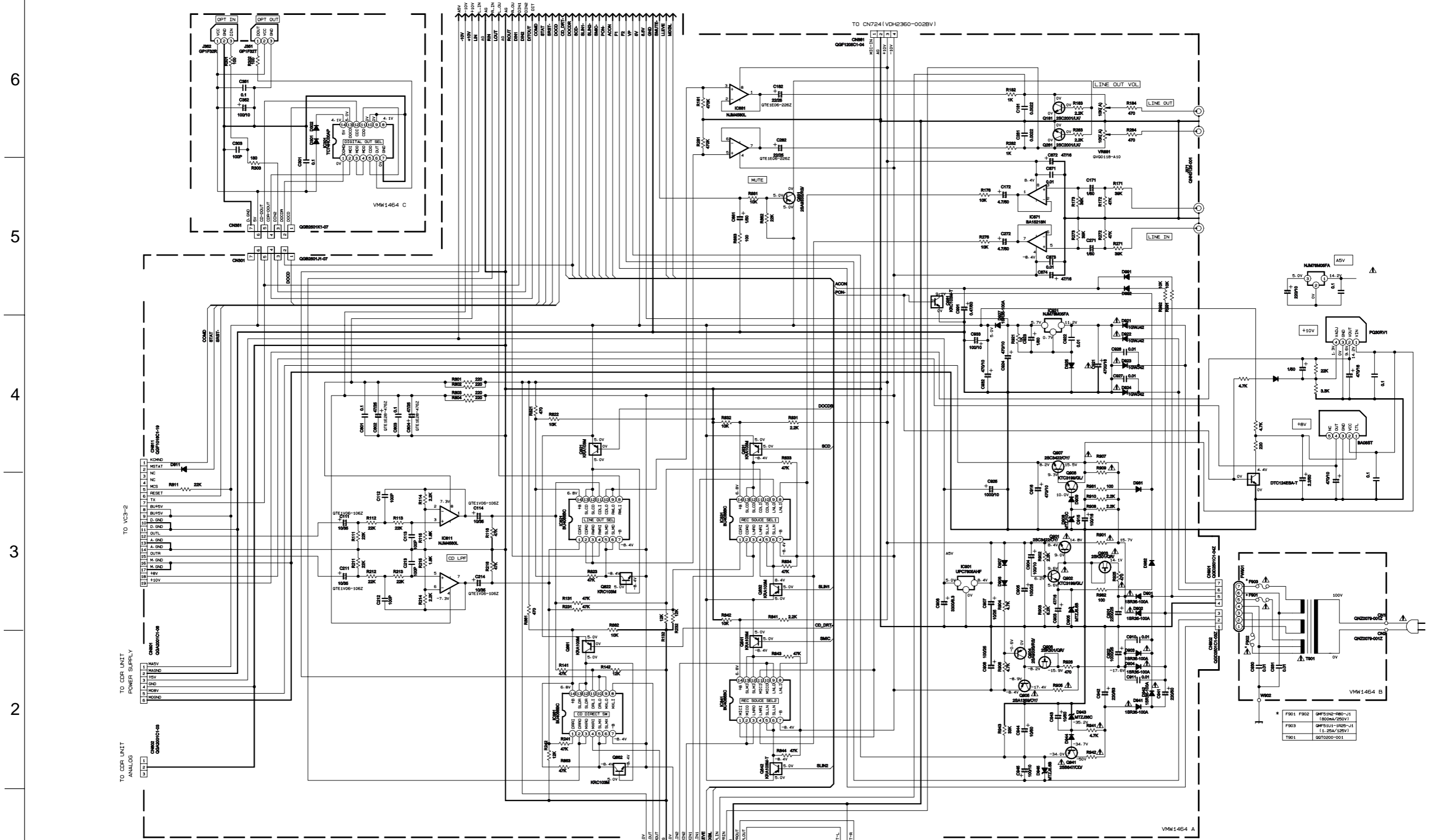
1. VOLTAGES ARE DC-MEASURED WITH A DIGITAL VOLT METER WITHOUT INPUT SIGNAL. CONDITION — CD1 PLAY MODE.
2. UNLESS OTHERWISE SPECIFIED:
ALL RESISTORS ARE 1/8W ±5% CARBON RESISTOR.
ALL RESISTANCE VALUES ARE IN OHM(Ω).
ALL CAPACITANCE VALUES ARE IN pF(pF).
ALL E. CAPACITORS ARE SHOWN IN THE FORM OF CAPACITANCE(μF)/RATED VOLTAGE (V).
ALL DIODES ARE 1SS133

* PARTS LIST

VERSION	R536	R537	R538	R539
J/C	47K	N. I.	N. I.	47K
E/B/ENVU	47K	47K	N. I.	N. I.
DD	N. I.	47K	47K	N. I.

VERSION	J	C	E/B/ENVU/DO
73122	301-	301-	
LPD78F4218AF505	301-	301-	
731	301-	301-	
LPD78A2146PF505	301-	301-	

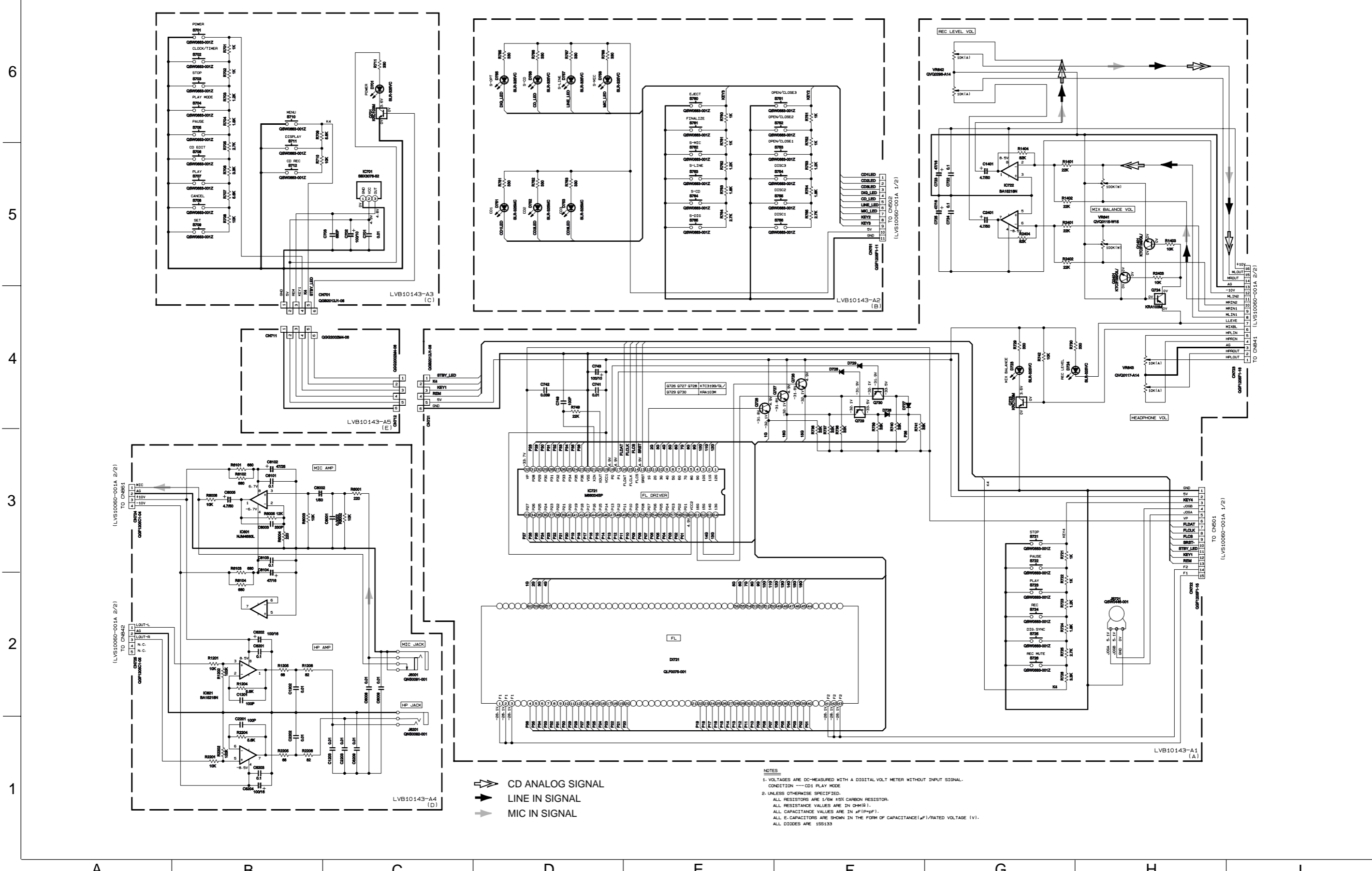
Regulator & optical in/out circuit



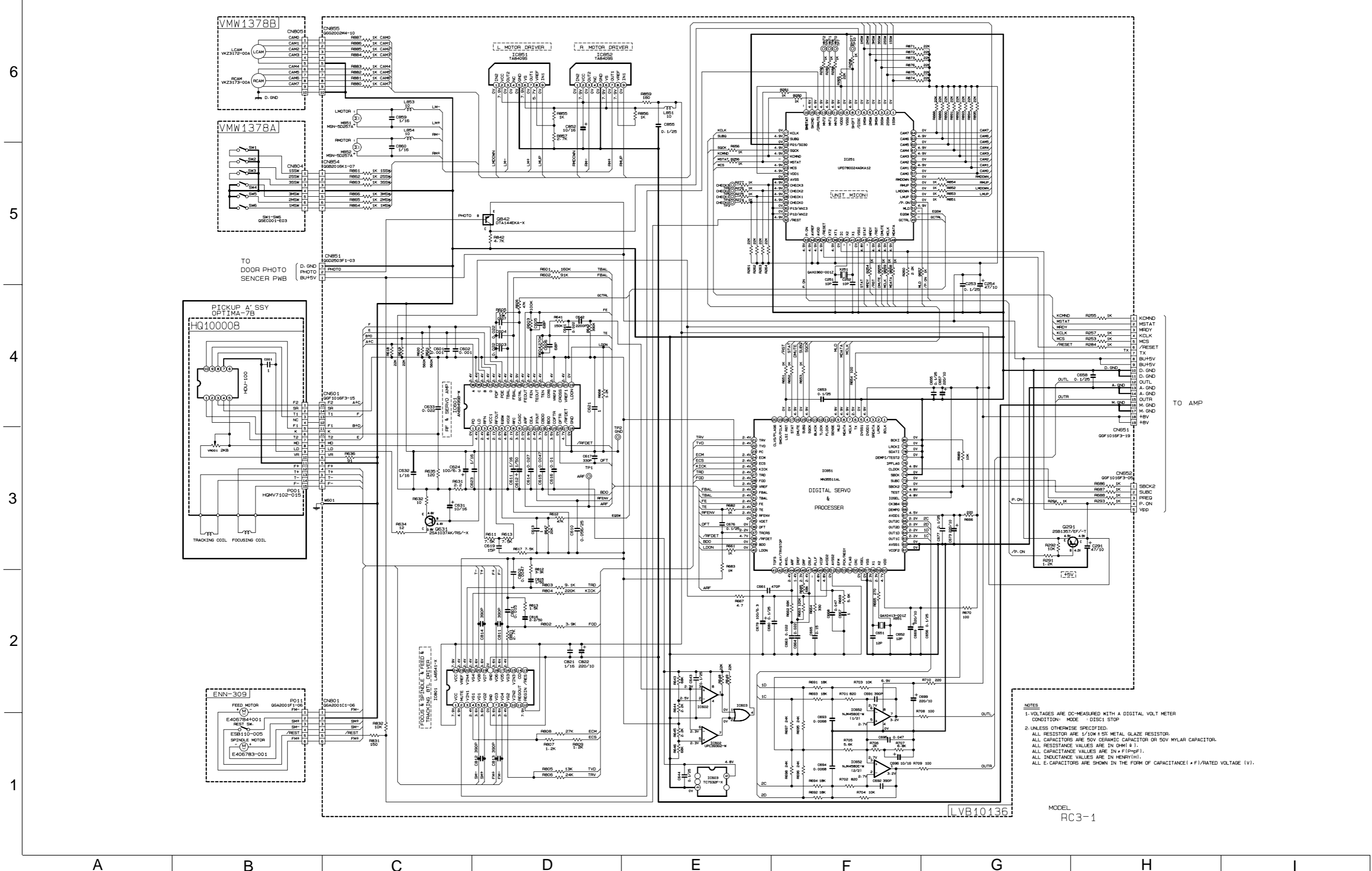
NOTES
 1. VOLTAGES ARE DC-MEASURED WITH A DIGITAL VOLT METER WITHOUT INPUT SIGNAL.
 CONDITION ---CD1 PLAY MODE
 2. UNLESS OTHERWISE SPECIFIED:
 ALL RESISTORS ARE 1/8W ±5% CARBON RESISTOR.
 ALL RESISTANCE VALUES ARE IN Ω(WH).
 ALL CAPACITANCE VALUES ARE IN μF(PREF).
 ALL E. CAPACITORS ARE SHOWN IN THE FORM OF CAPACITANCE/±%/RATED VOLTAGE (V).
 ALL DIODES ARE 1S8133

MODEL XL-R5000

Display circuit



CD servo circuit

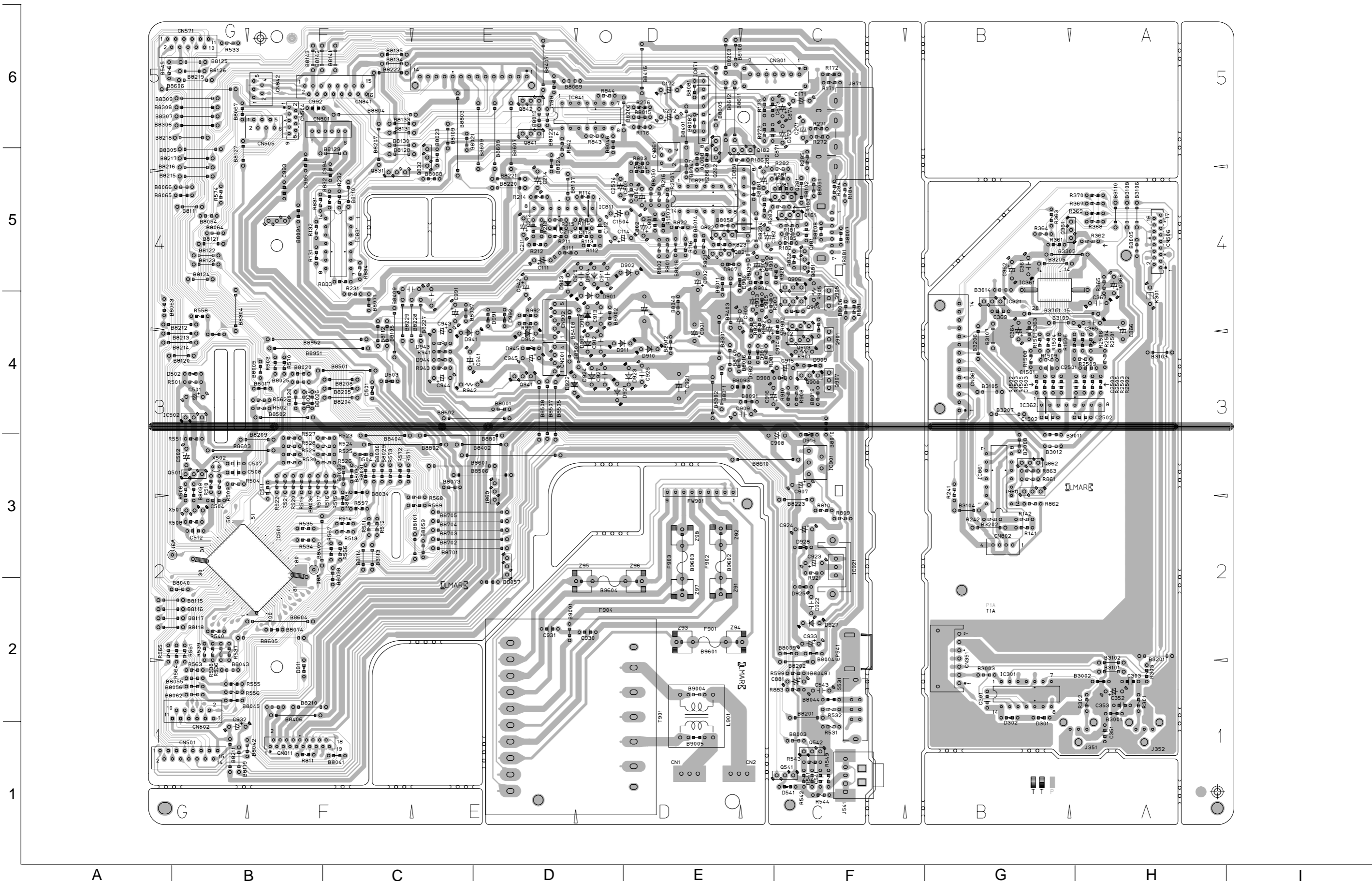


NOTES
 1. VOLTAGES ARE DC-MEASURED WITH A DIGITAL VOLT METER
 CONDITION: MODE : DISC1 STOP
 2. UNLESS OTHERWISE SPECIFIED,
 ALL RESISTOR ARE 1/10W ± 5% METAL GLAZE RESISTOR.
 ALL CAPACITORS ARE 50V CERAMIC CAPACITOR OR 50V MYLAR CAPACITOR.
 ALL RESISTANCE VALUES ARE IN OHM (Ω).
 ALL CAPACITANCE VALUES ARE IN nF (nF) OR pF (pF).
 ALL INDUCTANCE VALUES ARE IN HENRY (H).

MODEL
 RC3-1

Printed circuit boards

■ Main board



■ CD servo control board

